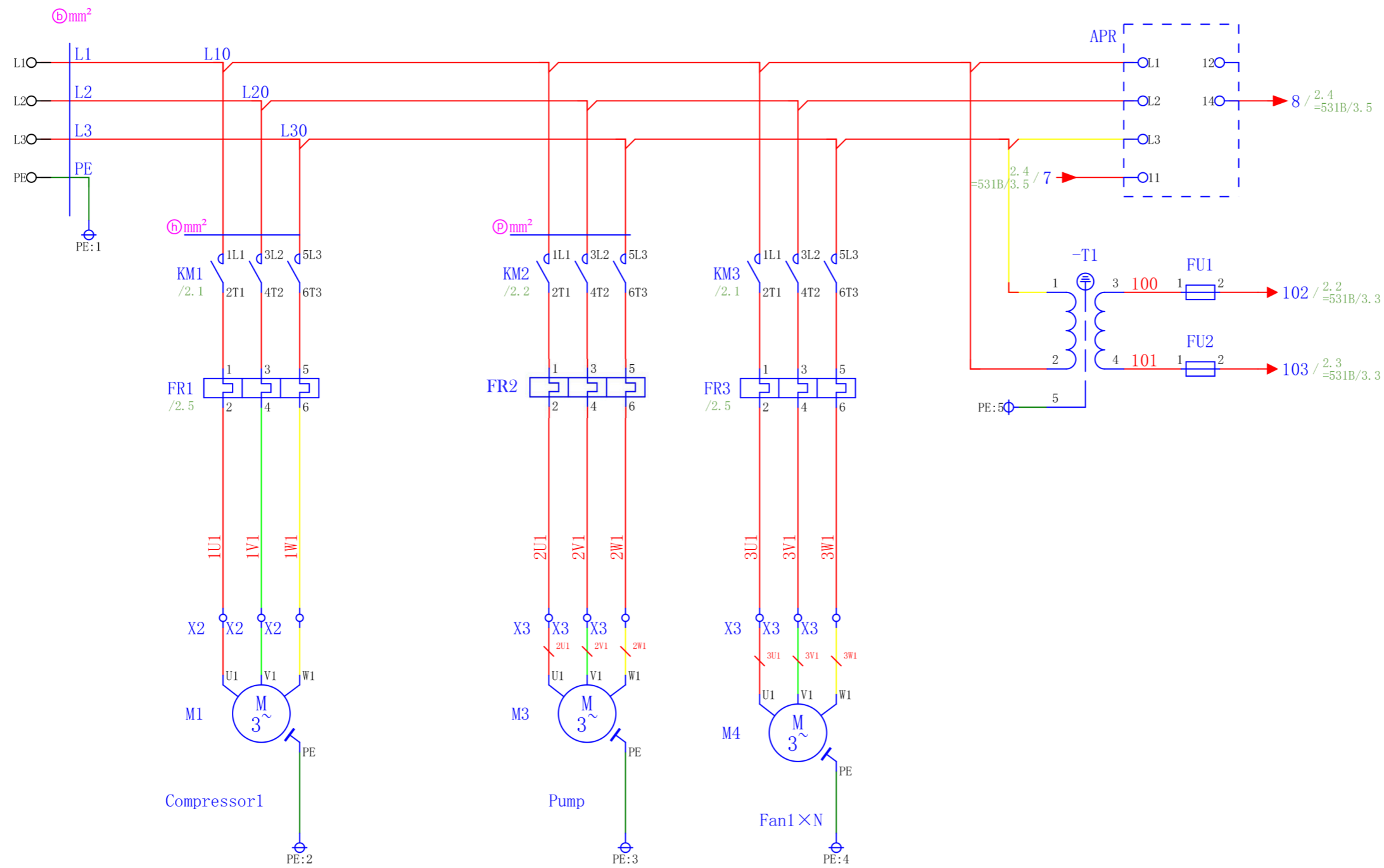


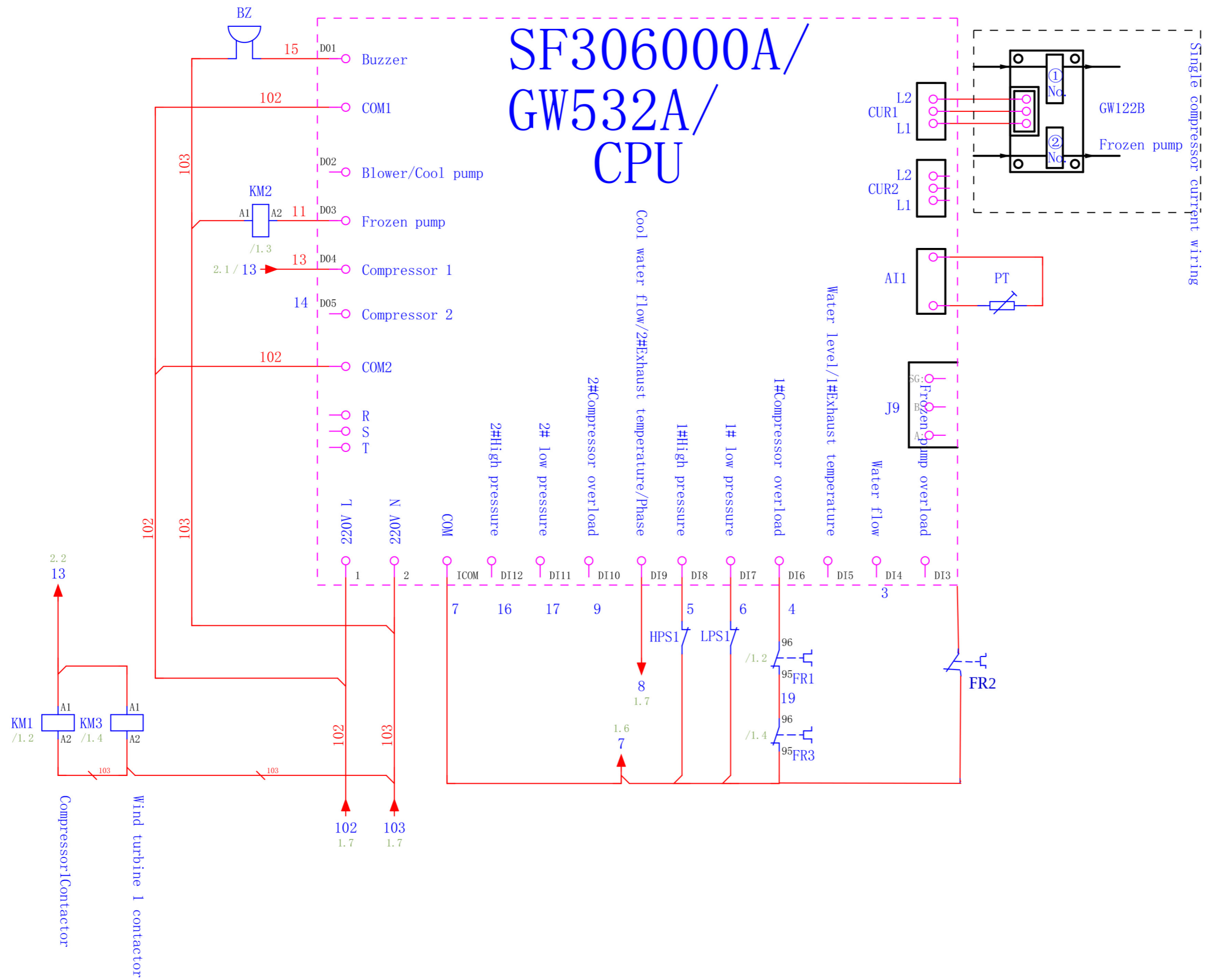
AC Customer voltage V 3Φ



When customer voltage = 220V: no T1

For other customer voltages: T1 is customer voltage / 220V control transformer

=	共 2 张		HC -10ACI	设计	LV WEI	2020/7/2
+	第 1 张		3F -08010010	审核		



=	共 2 张		HC -10ACI	设计	LV WEI	2020/7/2
+	第 2 张		3F -08010010	审核		